

Illustration - Type - E

3 603 A31 400
 Issue | 2005
 Stand | 24-10-30

Fig./Abb. 1

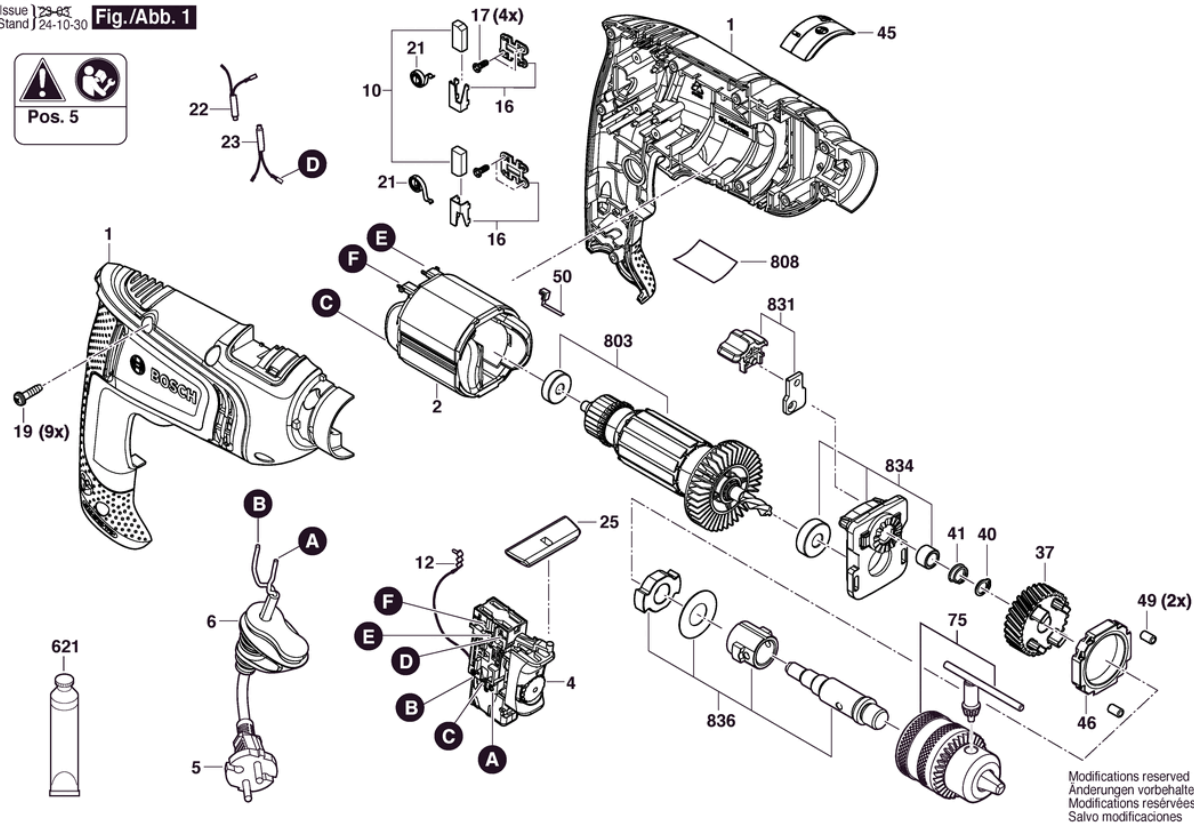
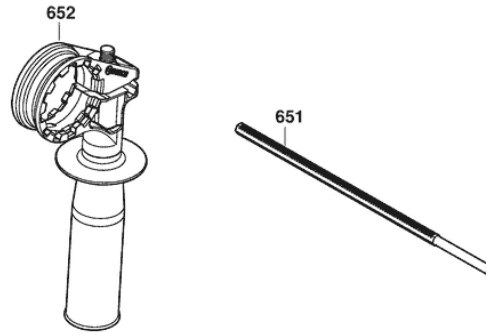


Illustration - Type - E

3 603 A31 400
Issue | 23-03-10
Stand | **Fig./Abb. 2**



Modifications reserved
Änderungen vorbehalten
Modifications réservées
Salvo modificaciones

Spare parts list

Item	Part Number	Description	Illustration
1	1 607 000 F3K	Housing	1
2	1 604 220 5A2	Field	1
4	1 607 200 38K	Switch	1
5	1 604 460 7AE	Power supply cord	1
6	1 600 703 05H	Grommet	1
10	1 607 014 193	Carbon-Brush Set	1
12	1 607 200 38R	Clamp	1
16	1 600 A02 D10	Brush Holder	1
17	1 603 430 0B3	Screw	1
19	1 603 430 0B2	Screw	1
21	1 600 A02 D11	Spiral Spring	1
22	1 600 A02 D14	Inductor	1
23	1 600 A02 D15	Inductor	1
25	1 600 A02 D13	Lever	1
37	1 606 300 01P	Toothed Gear	1
40	1 600 150 041	Spring retaining ring	1
41	1 604 612 055	Compression Spring	1
45	1 600 A02 D0V	Cover	1
46	1 600 A02 D0U	Retaining snap ring	1
49	1 600 A02 D0T	Cylindrical Roller	1
50	1 600 A02 D12	Measuring Prod	1
75	2 609 000 990	Key Chuck	1
621	3 605 430 003	Grease Tube ALBIDA	1
803	1 604 010 BT6	Armature	1
808	1 601 11A A39	Nameplate	1
831	1 600 A02 P7U	Change-Over Switch	1
834	1 600 A02 P7V	Bearing Bracket	1
836	1 600 A02 P7W	Spindle	1
651	1 600 A02 D17	Depth-Gauge	2
652	1 602 025 0B0	Auxiliary Handle	2